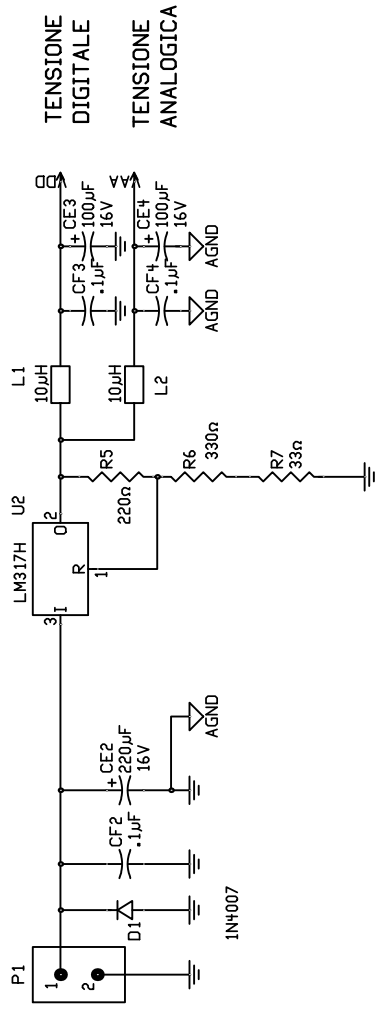


TENSIONE INGRESSO
5-15 VOLTS CC



Co:	www.salvitti.it
Title:	Presepio Elettronico
Board:	Sequencer MP3
Author:	Sergio Salvitti
Date:	29/07/2005
Revision:	D
Size:	A
Sheet	2 of 4