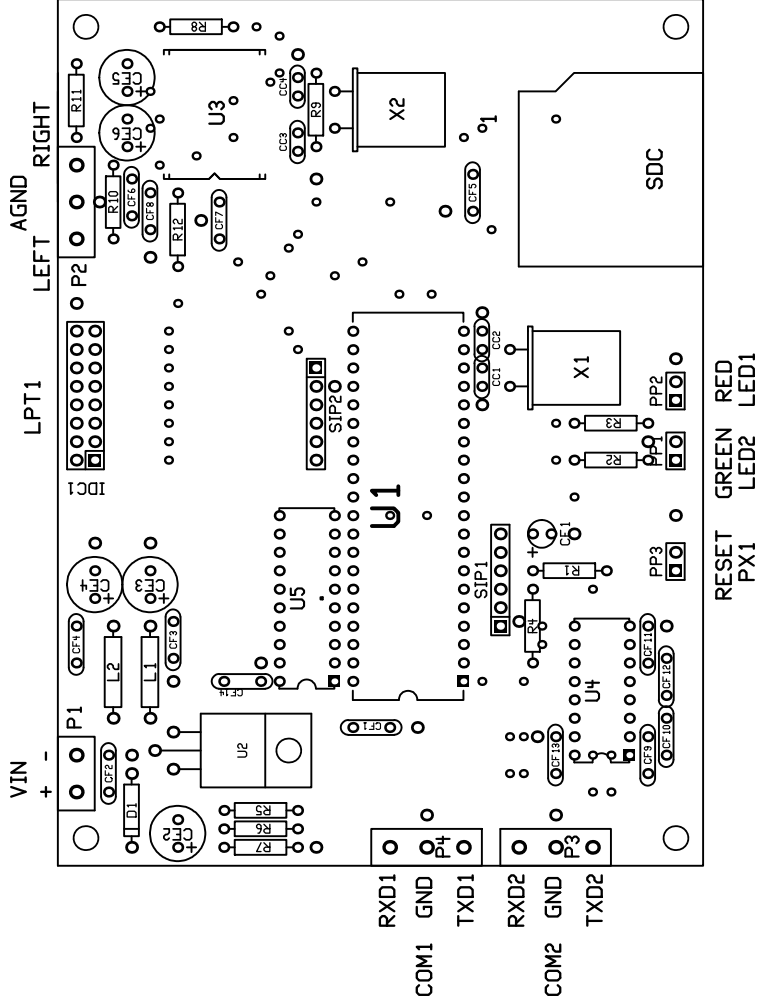


Drill tape data			
Tool Code	Hole Size	Sym bol	Hole Count

Board type: FR4
 Board thickness: .062"
 Copper weight: 2oz
 Layer count: 2
 All dimensions are in inches.
 Board should have green solder mask over bare copper (SMD/C) with white silk screening on top.
 View is from the top side of the board.



Co:	www.salvittti.it		
Title:	Presepio Elettronico		
Board:	Sequencer MP3	Revision:	A
Drawn:	Sergio Salvitti	Size:	A
Date:	09/06/2005	Sheet	1 of 1